

KMTRONIC
LTD

Relay Controller Model R4S4CRMD User Guide



Contents

- I. CONNECTING AND OPERATION 1
 - 1. Security and Handling 1
 - 2. An Overview 1
 - 2.1 Specification 1
 - 2.2 Package Contents 2
 - 2.3 Operation Requirements 2
 - 3 How to use KMTronic Modbus RS485 Relay 2
 - 3.1 Connection Details 2
 - 3.2 MODBUS Commands 6
 - 4 Examples and test software 8
 - 5 Additional information 9
 - 5.1 Handle inductive loads 9
 - 6 Technical specifications 11
 - 7 Physical Dimensions 12
 - 8 Sample code & Demo Applications 12

I. CONNECTING AND OPERATION

1. Security and Handling

Safety Instructions:

This device may have used to control external devices connected to its onboard relays. Incorrect wiring or shorts on the board can potentially cause damage to the board itself, your device. Extreme care must be taken when using this device to avoid any damage to your equipment. In particular, make sure you always disconnect the power of external device before touch the board.

KMTronic, its shareholder, employees, suppliers, distributors and/or resellers are not liable for any damage or loss of data as a result of the use of this device, including special, incidental, or consequential damages resulting from the use of this device, or under any legal theory, including lost profits, downtime, goodwill, damage to or replacement of equipment or property, and any costs or recovering or reproducing any data stored in computers connected to this device.

Your use of this circuit indicates your acceptance of these terms

2. An Overview

KMTronic Modbus RS485 Four Channel Relay Controller is a versatile product for controlling electrical and electronic devices remotely from a PC over RS485 bus via Modbus protocol. Ease of use and wider operating system compatibility are the primary goals behind the product's design.

Some of possible uses of the module include

- Home Automation
- Lighting Control
- Garden Equipment Control
- Industrial Automation
- Test Fixtures
- DIY and Hobby

2.1 Specification

- Number of Relays: 4
- Rated voltage: 9 - 24V DC
- Relay switching power: 15A/24VDC(125VAC) 10A/250VAC
- Baud rate: 9600/8/N/1
- Communication Port: RS485
- Dimension : 109mm x 108mm x 25mm (connectors mounted)

2.2 Package Contents

The following is included in the KMTronic Modbus RS485 Four Channel Relay Controller package

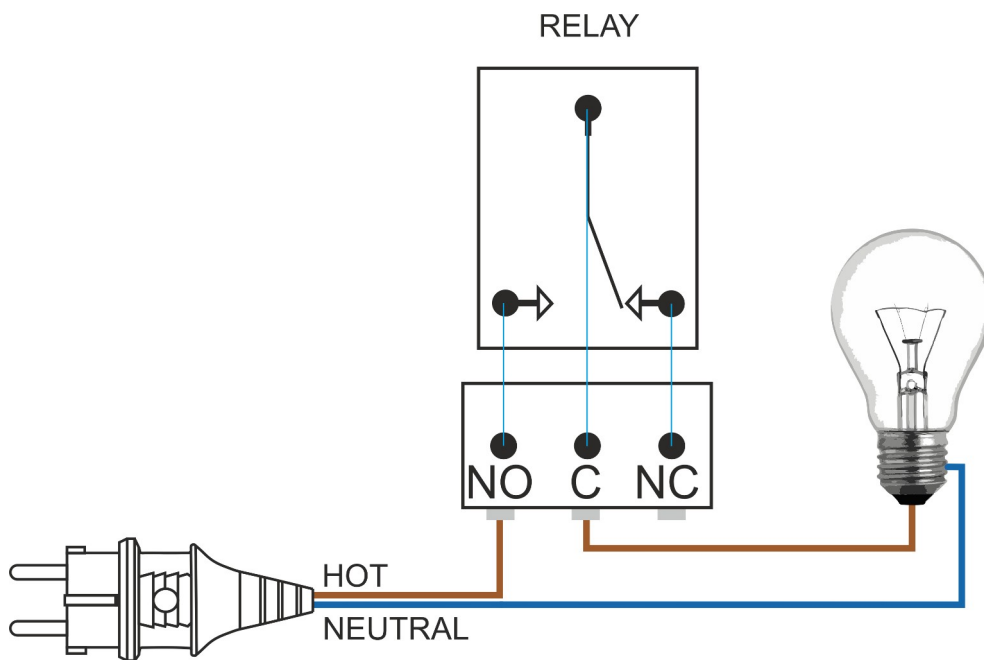
- KMTronic Modbus RS485 Four Channel Relay Controller board

2.3 Operation Requirements

- DC power supply from 9 to 24V
- Medium size screw driver

3 How to use KMTronic Modbus RS485 Relay

3.1 Connection Details



Above image shows basic connection diagram that can be used in most of the situations. The connection diagram is same for both AC and DC loads. Please make sure to use a freewheeling diode or snubber circuit if the load is inductive. More details about using inductive loads is available elsewhere in this document. It is important to make sure that the wires used to connect loads are sufficiently rated to handle expected load current. Exercise caution while working with high voltages. Short circuits can cause damage to the module and the PC. The following sections identify individual connections in detail.

IMPORTANT NOTE

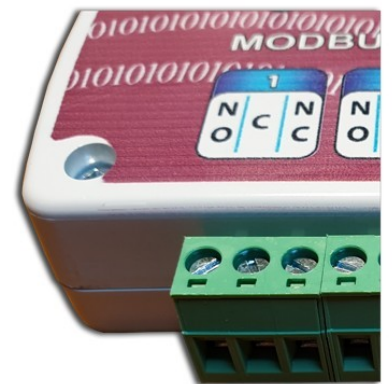


This circuit involves high voltage AC main power wiring when used to control high voltage AC devices. Please note that handling, testing and operating high voltage AC powered equipment can be dangerous and fatal when basic safety rules are not followed. **ALWAYS** disconnect the circuit from the AC line prior to performing any work on the circuit.

If you are inexperienced or not confident in working with high voltage AC powered circuits, we strongly recommend that you **DO NOT** attempt to use this circuit and seek help of a licensed electrician.

Relay Contacts

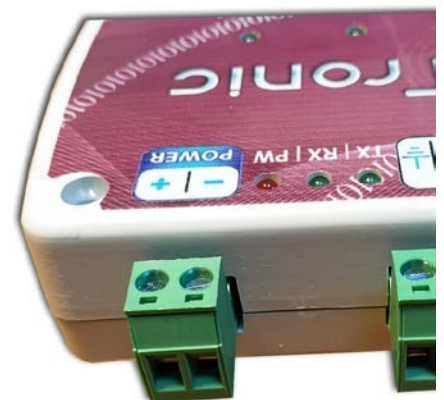
All contacts on each relay are available externally on screw terminals for easy user access. The relays are rated for AC and DC supply voltages. Please see the electrical parameter table for more details. Each relay has three contacts (C, NO and NC). C is the common terminal and is used in both normally open and normally closed positions. The contacts NC and C will be connected when the relay is turned off and will be disconnected when relay is turned on. And vice versa, the contacts C and NO will be disconnected when relay is turned off and will be connected when the relay is turned on. Table below summarizes possible relay contact



Relay State	Connection between NC and C	Connection between NO and C
OFF	Close	Open
ON	Open	Close

DC Power Supply

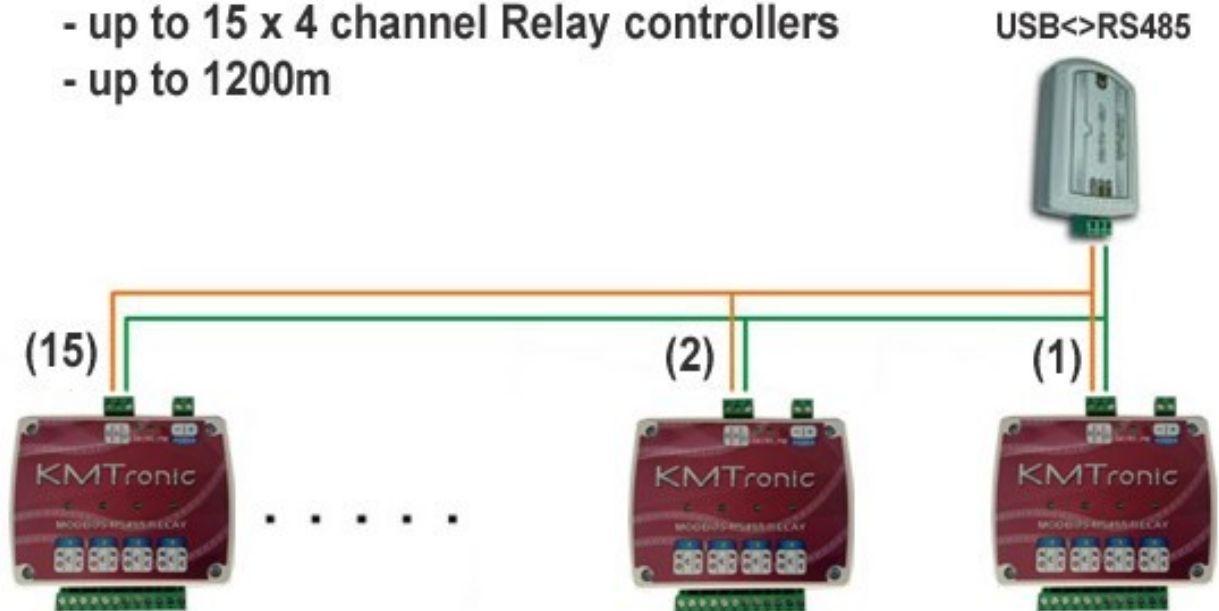
This board needs from 9V – 24V DC power supply for function properly. The board will need at least 200mA for 9V, 150mA for 12V and 70mA for 24V. Make sure to connect the power supply in correct polarity. Connect the positive terminal of the power supply to the + terminal on the module. Connect negative terminal of the power supply to - terminal of the module.



RS485 A and B lines

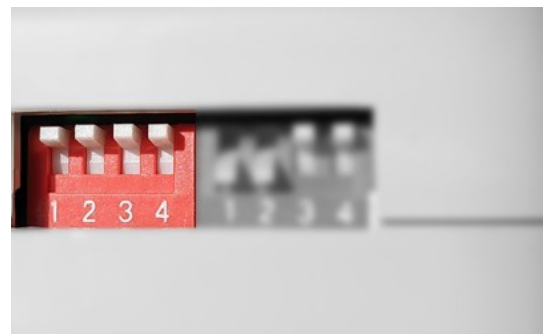
Connect A pin of our board to A line of your RS485 adapter and B pin of our board to B pin of your RS485 adapter. You can leave GND connection float.

- up to 15 x 4 channel Relay controllers
- up to 1200m

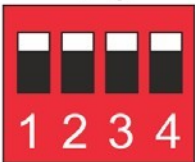
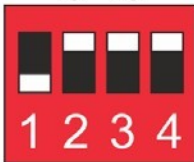
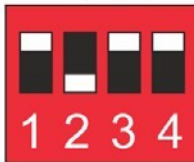
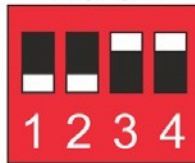
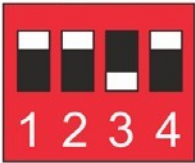
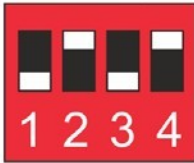
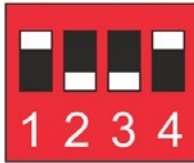
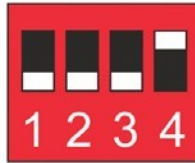
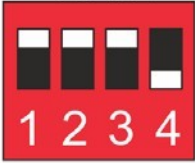
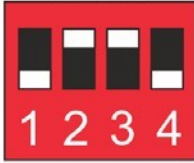
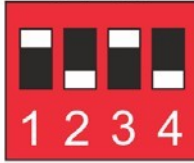

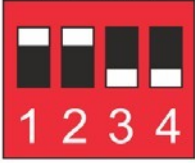
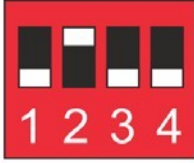
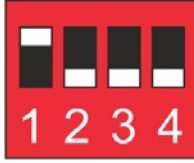
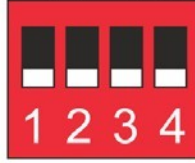


DIP Switch ID Select

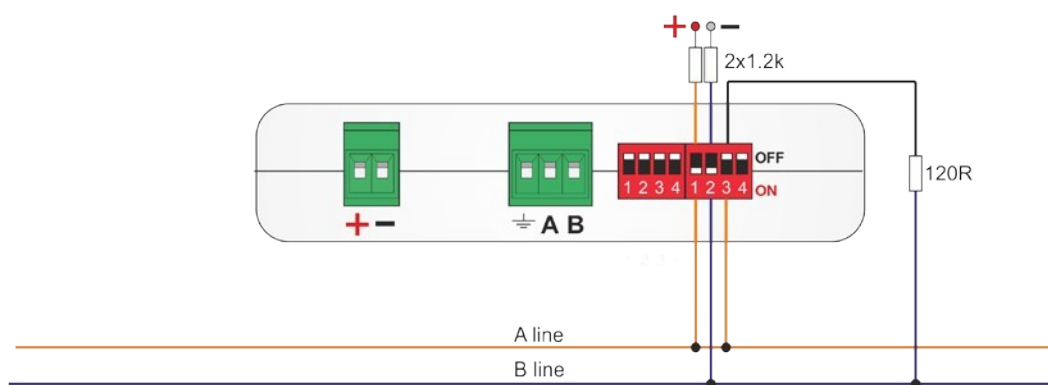
You can connect up to 15 board to single RS485 bus by simple selecting different IDs from integrated switch.



Coils Table

	1-8	9-16	17-24	25-32
ON				
	33-40	41-48	49-56	57-64
ON				
	65-72	73-80	81-88	89-96
ON				
	97-104	105-112	113-120	121-128
ON				

Pull-up and termination resistors



3.2 MODBUS Commands

All boards have same ID address – 1. Below are shown examples and explanation of Read Coil (0x01) and Write Single Coil (0x05) commands.

- 01 (0x01) Read Coil (check relay status)

The coils in the response message are packed as one coil per bit of the data field.

Status is indicated as 1= ON and 0= OFF.

Status request commands:

```
>> 01 01 00 00 00 01 (CS) (CS) - Request for status relay 1
>> 01 01 00 01 00 01 (CS) (CS) - Request for status relay 2
>> 01 01 00 02 00 01 (CS) (CS) - Request for status relay 3
>> 01 01 00 03 00 01 (CS) (CS) - Request for status relay 4
```

Response relay board:

```
<< 01 01 01 00 (CS) (CS) - relay is OFF
```

or

```
<< 01 01 01 01 (CS) (CS) - relay is ON
```

-05 (0x05) Write Single Coil (turn relay ON/OFF)

The normal response is an echo of the request, returned after the coil state has been written.

ON commands:

```
>> 01 05 00 00 FF 00 (CS) (CS) - Turn relay 1 ON
<< 01 05 00 00 FF 00 (CS) (CS) - Respond that relay 1 is turned ON
>> 01 05 00 01 FF 00 (CS) (CS) - Turn relay 2 ON
<< 01 05 00 01 FF 00 (CS) (CS) - Respond that relay 2 is turned ON
>> 01 05 00 02 FF 00 (CS) (CS) - Turn relay 3 ON
<< 01 05 00 02 FF 00 (CS) (CS) - Respond that relay 3 is turned ON
>> 01 05 00 03 FF 00 (CS) (CS) - Turn relay 4 ON
<< 01 05 00 03 FF 00 (CS) (CS) - Respond that relay 4 is turned ON
```

OFF commands:

```
>> 01 05 00 00 00 00 (CS) (CS) - Turn relay 1 OFF
```

```

    << 01 05 00 00 00 00 (CS) (CS) - Respond that relay 1 is turned OFF
  >> 01 05 00 01 00 00 (CS) (CS) - Turn relay 2 OFF
    << 01 05 00 01 00 00 (CS) (CS) - Respond that relay 2 is turned OFF
  >> 01 05 00 02 00 00 (CS) (CS) - Turn relay 3 OFF
    << 01 05 00 02 00 00 (CS) (CS) - Respond that relay 3 is turned OFF
  >> 01 05 00 03 00 00 (CS) (CS) - Turn relay 4 OFF
    << 01 05 00 03 00 00 (CS) (CS) - Respond that relay 4 is turned OFF

```

The byte in red is the address of the specific coil. For example, by Coils table, if you select board with coils 1-8(all DIP switches OFF) respectively the address is in range 0x0000 to 0x0007. Below are shown examples respectively for Board Number 0(**COILS: 0001-0008**) and Board Number 5(**COILS: 0041-0048**). Coils number is in decimal, coil address – in HEX.

BOARD NUMBER:00

MODBUS ID:01

COILS: 0001-0008

Status request commands:

```

  >> 01 01 00 00 00 01 (CS) (CS) - Request for status relay 1 (Coil 0001)
  >> 01 01 00 01 00 01 (CS) (CS) - Request for status relay 2 (Coil 0002)
  >> 01 01 00 02 00 01 (CS) (CS) - Request for status relay 3 (Coil 0003)
  >> 01 01 00 03 00 01 (CS) (CS) - Request for status relay 4 (Coil 0004)

```

ON commands:

```

  >> 01 05 00 00 FF 00 (CS) (CS) - Turn relay 1 ON (Coil 0001)
  >> 01 05 00 01 FF 00 (CS) (CS) - Turn relay 2 ON (Coil 0002)
  >> 01 05 00 02 FF 00 (CS) (CS) - Turn relay 3 ON (Coil 0003)
  >> 01 05 00 03 FF 00 (CS) (CS) - Turn relay 4 ON (Coil 0004)

```

OFF commands:

```

  >> 01 05 00 00 00 00 (CS) (CS) - Turn relay 1 OFF (Coil 0001)
  >> 01 05 00 01 00 00 (CS) (CS) - Turn relay 2 OFF (Coil 0002)
  >> 01 05 00 02 00 00 (CS) (CS) - Turn relay 3 OFF (Coil 0003)
  >> 01 05 00 03 00 00 (CS) (CS) - Turn relay 4 OFF (Coil 0004)

```

BOARD NUMBER:05

MODBUS ID:01

COILS: 0041-0048

Status request commands:

```

  >> 01 01 00 28 00 01 (CS) (CS) - Request for status relay 41

```

```
>> 01 01 00 29 00 01 (CS) (CS) - Request for status relay 42
>> 01 01 00 2A 00 01 (CS) (CS) - Request for status relay 43
>> 01 01 00 2B 00 01 (CS) (CS) - Request for status relay 44
```

ON commands:

```
>> 01 05 00 28 FF 00 (CS) (CS) - Turn relay 41 ON
>> 01 05 00 29 FF 00 (CS) (CS) - Turn relay 42 ON
>> 01 05 00 2A FF 00 (CS) (CS) - Turn relay 43 ON
>> 01 05 00 2B FF 00 (CS) (CS) - Turn relay 44 ON
```

OFF commands:

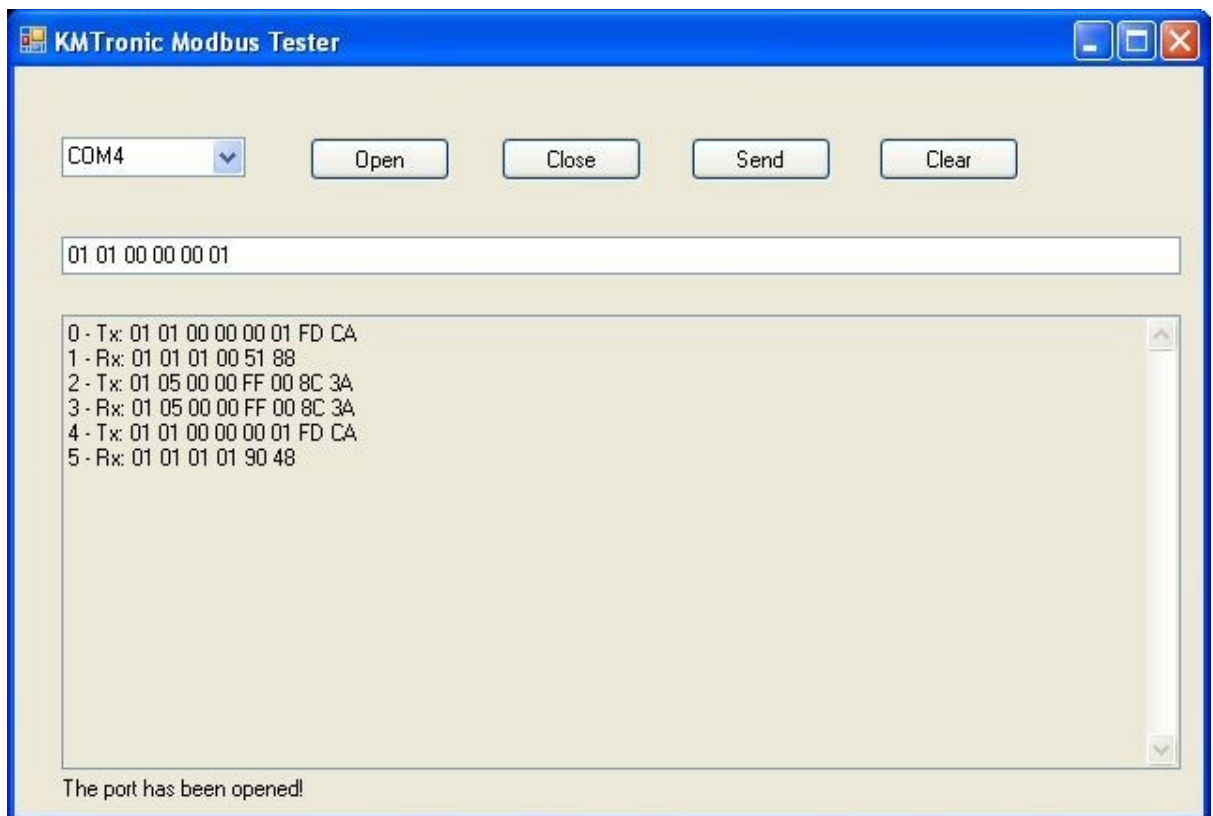
```
>> 01 05 00 28 00 00 (CS) (CS) - Turn relay 41 OFF
>> 01 05 00 29 00 00 (CS) (CS) - Turn relay 42 OFF
>> 01 05 00 2A 00 00 (CS) (CS) - Turn relay 43 OFF
>> 01 05 00 2B 00 00 (CS) (CS) - Turn relay 44 OFF
```

4 Examples and test software

MODBUS Test Software:

You can download test software from:

http://www.kmtronic.com/software/ModBus/KMtronic_ModBus_Tester.zip



Select COM port where the Relay is installed (in this example it is COM Port 4) and click to OPEN button.

Write (copy/paste) command without Check Sum (CS) and click on SEND button. Software calculate Check Sum and send command to relay board.

In this example last command is:

"01 01 00 00 00 01 FD CA" - Request for status relay 1. "FD CA" is Check Sum

"01 01 01 01 90 48" - Reply from relay board that status relay 1 is ON. "90 48" is Check Sum

NOTE: You don't need to enter checksum manually. The software automatically calculates checksum and adds it to the main command.

5 Additional information

5.1 Handle inductive loads

General-purpose relays are typically designed to drive resistive loads, not inductive loads.

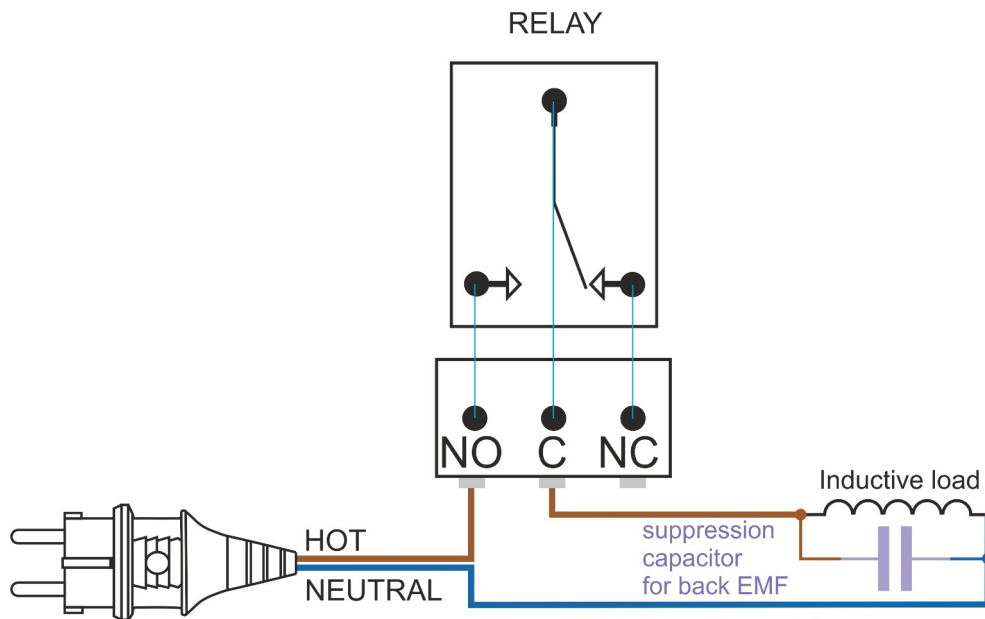
This is why electromechanical life ratings are published for resistive loads and not inductive loads. Inductive loads can best be defined as anything with a magnetic coil, such as a motor, solenoid, or a transformer. The purpose of this capacitor is to absorb the high voltages generated by inductive loads. Unlike resistive loads, inductive loads love power, and they will do everything they can to hold on to it. The unpleasant result of this power hunger is inductive kickback, and it has a devastating effect on the contact life of most general-purpose relays. This is true of both ac and dc inductive loads, although the inductive kickback is far worse with dc loads due to the constant current characteristic of dc power. How bad is the kickback? A 24-Vdc solenoid with a current consumption as low as a quarter of an amp will create a negative inductive kickback of more than 300 V. Also the high voltage kickbacks can easily brake the USB communication and the only way to fix it to unplug and plug it again.

Adding a suspension capacitor could easily reduce the problems. It has to be installed as close as possible to the Relay Board.

6 Technical specifications

Parameter *	Value	Unit
Basic Specification		
Number of relays	4	
Digital circuit power supply voltage (USB or external)	9 - 24	V
Standby current at 12V	20	mA
Maximum current drawn by digital circuitry at 9V	180	mA
Maximum current drawn by digital circuitry at 12V	140	mA
Maximum current drawn by digital circuitry at 24V	70	mA
Relay Specifications		
Nominal relay coil voltage	5	V
Nominal coil power consumption (per relay)	360	mW
Relay contact material	Ag alloy	
Contact rating	AC125V 15A AC250V 10A DC24V 15A	
Maximum switching voltage	AC 240V DC 110V	
Maximum switching current	20	A
Maximum switching power	2500VA	
Contact resistance (initial)	50	mΩ
Life expectancy (Electrical)	100,000 ops	
Life expectancy (Mechanical)	10,000,000 ops	
Nominal insulation resistance	100MΩ (DC500V)	
Maximum switching on response time	10	ms
Maximum switching off response time	5	ms

* All parameters considered nominal. KMTronic LTD reserves the right to modify products without notice.



DME Polyester Film Capacitors are suitable for this job with capacitance around 0.47uF – 0,68uF will be satisfied.

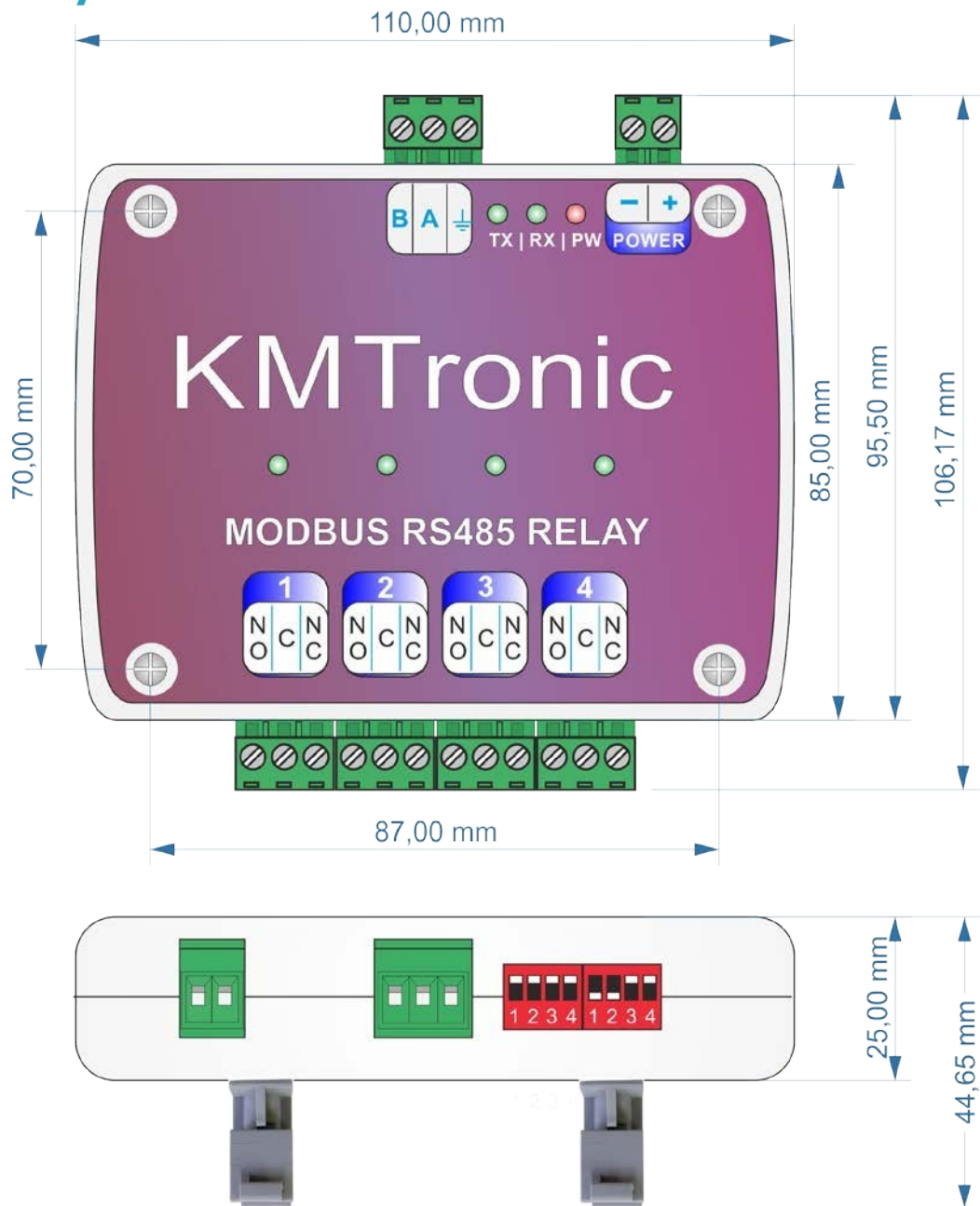
Choose larger voltage rating than your power supply.

Search it at digikey.com -

<http://www.digikey.com/scripts/dksearch/dksus.dll?FV=ffec2aa9%2Cfff40002%2Cfff80010%2Ce340003&k=Polyester+Film+Capacitor&vendor=0&monly=0&newproducts=0&ptm=0&fid=0&quantity=0&PV13=46&PV13=47&PV13=49>

If you can't find it, you can use other Metalized Polyester Film Capacitor.

7 Physical Dimensions



8 Sample code & Demo Applications

You can find additional information and downloads at:

<http://www.kmtronic.com/>

Manufacture by:
KMTronic LTD
Bulgaria

